



SBT

SBT-bearing is a 3-layer bearing, wrapped of copper plated steel-sheets with a layer of PTFE.

The SBT-bearings are mainly intended for oscillating movements, bearing places with often occurring starts and stops, or when minimal dry-friction is tried to be obtained and when greasing is out of the question. Owing to the fact that the friction is very low, SBT-bearings can be used without additional lubrication. SBT-bearing is resistant to most common mediums.

The thin layer, which makes up the running surface, should be well protected to avoid mounting damages and also protected from heat e.g. welding.

Technical data

Material:

SBT: Copper plated steel backing, bronze, PTFE-layer

RBT: Stainless steel backing, bronze, PTFE-layer

BBT: Bronze backing, bronze, PTFE-layer

Friction: 0,03–0,20μ

Max speed: No lubrication 2,5m/s
Boundary lubricated >2,5m/s

Temperature range: -200 / +280 °C

Tolerances: Housing H6/H7, recommended tolerance for the shaft f7 or h8.

Lubrication: SBT-bearings are preferably intended to be used non-lubricated.

Additional lubrication can be recommended to prevent corrosion on the shaft.

All customary lubricating greases and oils can be used.

Benefits:

- Designed to work even without lubrication.
- Wide range of temperature .
- High level thermal conductivity.
- Good resistance to most common mediums.
- Wide range of stock hold standard dimensions.
- Many possible applications.

Special:

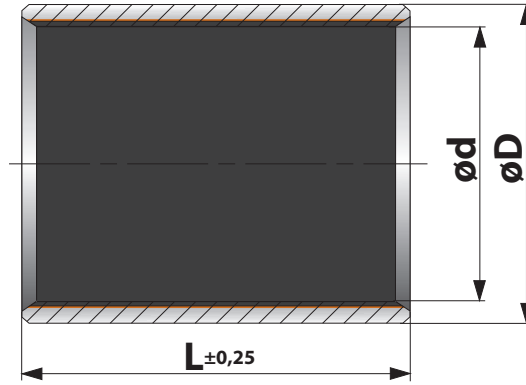
- Tin-Plated,
- Stainless steel backing.
- Bronze backing.
- Layer without lead.
- Flat or spherical thrust washers.
- Other positions of tolerance.
- Drawing details.

Type of applications:

- Tail lifts.
- Person lifts.
- Hydraulic pumps.
- Pneumatic cylinders.
- Textile machines.

Load	Movement
250 N/mm ²	Static
140 N/mm ²	Dynamic
60 N/mm ²	Rotating , oscil.

Dimension programme SBT



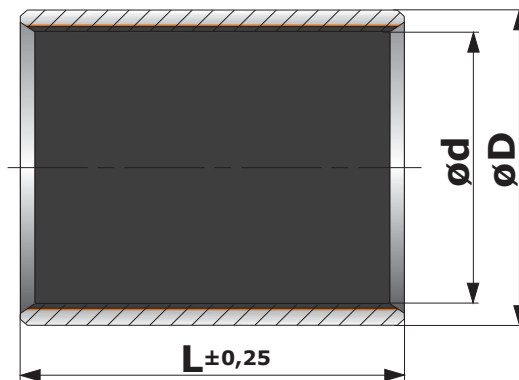
Code	Designation	d	D	L
260001	03/ 04,5x 03 SBT	03	04,5	03
260005	03/ 04,5x 04 SBT	03	04,5	04
260010	03/ 04,5x 05 SBT	03	04,5	05
260015	03/ 04,5x 06 SBT	03	04,5	06
260020	04/ 05,5x 03 SBT	04	05,5	03
260025	04/ 05,5x 04 SBT	04	05,5	04
260030	04/ 05,5x 06 SBT	04	05,5	06
260035	04/ 05,5x 10 SBT	04	05,5	10
260040	05/ 07x 05 SBT	05	07	05
260045	05/ 07x 08 SBT	05	07	08
260050	05/ 07x 10 SBT	05	07	10
260055	06/ 08x 06 SBT	06	08	06
260060	06/ 08x 08 SBT	06	08	08
260065	06/ 08x 10 SBT	06	08	10
260070	08/ 10x 08 SBT	08	10	08
260075	08/ 10x 10 SBT	08	10	10
260080	08/ 10x 12 SBT	08	10	12
260085	10/ 12x 08 SBT	10	12	08
260090	10/ 12x 10 SBT	10	12	10
260095	10/ 12x 12 SBT	10	12	12
260100	10/ 12x 15 SBT	10	12	15
260105	10/ 12x 20 SBT	10	12	20
260110	12/ 14x 08 SBT	12	14	08
260115	12/ 14x 10 SBT	12	14	10
260120	12/ 14x 12 SBT	12	14	12
260125	12/ 14x 15 SBT	12	14	15
260130	12/ 14x 20 SBT	12	14	20
260135	12/ 14x 25 SBT	12	14	25
260140	13/ 15x 10 SBT	13	15	10
260145	13/ 15x 15 SBT	13	15	15
260150	13/ 15x 20 SBT	13	15	20
260155	13/ 15x 25 SBT	13	15	25
260158	14/ 16x 08 SBT	14	16	08
260160	14/ 16x 10 SBT	14	16	10
260165	14/ 16x 12 SBT	14	16	12
260170	14/ 16x 15 SBT	14	16	15
260175	14/ 16x 20 SBT	14	16	20
260180	14/ 16x 25 SBT	14	16	25
260185	15/ 17x 10 SBT	15	17	10
260190	15/ 17x 12 SBT	15	17	12
260195	15/ 17x 15 SBT	15	17	15
260200	15/ 17x 20 SBT	15	17	20
260205	15/ 17x 25 SBT	15	17	25
260210	16/ 18x 10 SBT	16	18	10
260215	16/ 18x 12 SBT	16	18	12
260220	16/ 18x 15 SBT	16	18	15
260225	16/ 18x 20 SBT	16	18	20
260230	16/ 18x 25 SBT	16	18	25
260235	16/ 18x 30 SBT	16	18	30
260240	17/ 19x 15 SBT	17	19	15
260245	17/ 19x 20 SBT	17	19	20
260250	17/ 19x 25 SBT	17	19	25
260255	18/ 20x 15 SBT	18	20	15
260260	18/ 20x 20 SBT	18	20	20
260265	18/ 20x 25 SBT	18	20	25
260270	20/ 22x 10 SBT	20	22	10

Code	Designation	d	D	L
260275	20/ 22x 15 SBT	20	22	15
260280	20/ 22x 20 SBT	20	22	20
260285	20/ 22x 25 SBT	20	22	25
260290	20/ 23x 10 SBT	20	23	10
260295	20/ 23x 15 SBT	20	23	15
260300	20/ 23x 20 SBT	20	23	20
260305	20/ 23x 25 SBT	20	23	25
260310	20/ 23x 30 SBT	20	23	30
260315	22/ 25x 15 SBT	22	25	15
260320	22/ 25x 20 SBT	22	25	20
260325	22/ 25x 25 SBT	22	25	25
260330	22/ 25x 30 SBT	22	25	30
260335	24/ 27x 15 SBT	24	27	15
260340	24/ 27x 20 SBT	24	27	20
260345	24/ 27x 25 SBT	24	27	25
260350	24/ 27x 30 SBT	24	27	30
260355	24/ 28x 15 SBT	24	28	15
260360	24/ 28x 20 SBT	24	28	20
260365	24/ 28x 25 SBT	24	28	25
260370	24/ 28x 30 SBT	24	28	30
260375	25/ 28x 12 SBT	25	28	12
260380	25/ 28x 15 SBT	25	28	15
260385	25/ 28x 20 SBT	25	28	20
260390	25/ 28x 25 SBT	25	28	25
260395	25/ 28x 30 SBT	25	28	30
260400	25/ 28x 50 SBT	25	28	50
260405	28/ 32x 20 SBT	28	32	20
260410	28/ 32x 25 SBT	28	32	25
260415	28/ 32x 30 SBT	28	32	30
260420	30/ 34x 15 SBT	30	34	15
260425	30/ 34x 20 SBT	30	34	20
260430	30/ 34x 25 SBT	30	34	25
260435	30/ 34x 30 SBT	30	34	30
260440	30/ 34x 40 SBT	30	34	40
260445	32/ 36x 20 SBT	32	36	20
260450	32/ 36x 30 SBT	32	36	30
260455	32/ 36x 40 SBT	32	36	40
260460	35/ 39x 20 SBT	35	39	20
260465	35/ 39x 30 SBT	35	39	30
260470	35/ 39x 35 SBT	35	39	35
260475	35/ 39x 40 SBT	35	39	40
260480	35/ 39x 50 SBT	35	39	50
260485	40/ 44x 20 SBT	40	44	20
260490	40/ 44x 30 SBT	40	44	30
260495	40/ 44x 40 SBT	40	44	40
260500	40/ 44x 50 SBT	40	44	50
260505	45/ 50x 20 SBT	45	50	20
260510	45/ 50x 30 SBT	45	50	30
260515	45/ 50x 40 SBT	45	50	40
260520	45/ 50x 45 SBT	45	50	45
260525	45/ 50x 50 SBT	45	50	50
260530	50/ 55x 20 SBT	50	55	20
260535	50/ 55x 25 SBT	50	55	25

Other dimensions and designs can be supplied on request. All measures in mm.

Dimension programme

SBT

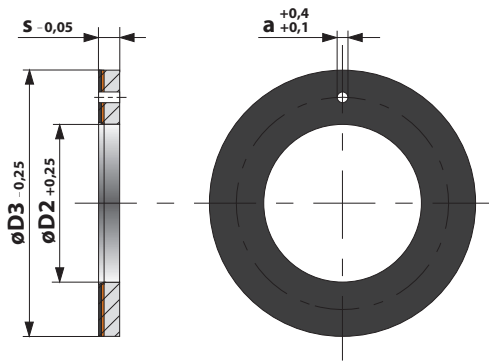


Code	Designation	d	D	L
260540	50/ 55x 30 SBT	50	55	30
260545	50/ 55x 40 SBT	50	55	40
260550	50/ 55x 50 SBT	50	55	50
260555	50/ 55x 60 SBT	50	55	60
260560	55/ 60x 20 SBT	55	60	20
260565	55/ 60x 25 SBT	55	60	25
260570	55/ 60x 30 SBT	55	60	30
260575	55/ 60x 40 SBT	55	60	40
260580	55/ 60x 50 SBT	55	60	50
260585	55/ 60x 60 SBT	55	60	60
260590	60/ 65x 30 SBT	60	65	30
260595	60/ 65x 40 SBT	60	65	40
260600	60/ 65x 60 SBT	60	65	60
260605	60/ 65x 70 SBT	60	65	70
260610	65/ 70x 30 SBT	65	70	30
260615	65/ 70x 35 SBT	65	70	35
260620	65/ 70x 50 SBT	65	70	50
260625	65/ 70x 60 SBT	65	70	60
260630	65/ 70x 70 SBT	65	70	70
260635	70/ 75x 40 SBT	70	75	40
260640	70/ 75x 50 SBT	70	75	50
260645	70/ 75x 60 SBT	70	75	60
260650	70/ 75x 70 SBT	70	75	70
260652	70/ 75x 80 SBT	70	75	80
260655	75/ 80x 40 SBT	75	80	40
260660	75/ 80x 50 SBT	75	80	50
260665	75/ 80x 60 SBT	75	80	60
260670	75/ 80x 70 SBT	75	80	70
260675	75/ 80x 80 SBT	75	80	80
260680	80/ 85x 40 SBT	80	85	40
260685	80/ 85x 60 SBT	80	85	60
260688	80/ 85x 80 SBT	80	85	80
260690	80/ 85x 100 SBT	80	85	100
260695	85/ 90x 60 SBT	85	90	60
260700	85/ 90x 100 SBT	85	90	100
260703	90/ 95x 40 SBT	90	95	40
260705	90/ 95x 60 SBT	90	95	60
260710	90/ 95x 100 SBT	90	95	100
260715	95/ 100x 60 SBT	95	100	60
260720	95/ 100x 100 SBT	95	100	100
260723	100/105x 50 SBT	100	105	50
260725	100/105x 60 SBT	100	105	60
260730	100/105x 70 SBT	100	105	70
260735	100/105x 80 SBT	100	105	80
260740	100/105x 100 SBT	100	105	100
260745	100/105x 115 SBT	100	105	115
260750	105/ 110x 60 SBT	105	110	60
260755	105/ 110x 100 SBT	105	110	100
260760	105/ 110x 115 SBT	105	110	115
260765	110/ 115x 60 SBT	110	115	60
260770	110/ 115x 70 SBT	110	115	70
260775	110/ 115x 100 SBT	110	115	100
260780	110/ 115x 115 SBT	110	115	115
260785	120/ 125x 60 SBT	120	125	60
260790	120/ 125x 100 SBT	120	125	100
260795	125/ 130x 60 SBT	125	130	60

Code	Designation	d	D	L
260800	125/ 130x 100 SBT	125	130	100
260805	130/ 135x 60 SBT	130	135	60
260810	130/ 135x 100 SBT	130	135	100
260815	135/ 140x 60 SBT	135	140	60
260820	135/ 140x 100 SBT	135	140	100
260825	140/ 145x 60 SBT	140	145	60
260830	140/ 145x 100 SBT	140	145	100
260835	145/ 150x 60 SBT	145	150	60
260840	145/ 150x 100 SBT	145	150	100
260845	150/ 155x 60 SBT	150	155	60
260850	150/ 155x 100 SBT	150	155	100
260855	155/ 160x 60 SBT	155	160	60
260860	155/ 160x 100 SBT	155	160	100
260865	160/ 165x 50 SBT	160	165	50
260870	160/ 165x 60 SBT	160	165	60
260875	160/ 165x 100 SBT	160	165	100
260880	165/ 170x 60 SBT	165	170	60
260885	165/ 170x 100 SBT	165	170	100
260890	170/ 175x 60 SBT	170	175	60
260895	170/ 175x 100 SBT	170	175	100
260900	175/ 180x 60 SBT	175	180	60
260905	175/ 180x 100 SBT	175	180	100
260910	180/ 185x 60 SBT	180	185	60
260915	180/ 185x 100 SBT	180	185	100
260920	200/205x 60 SBT	200	205	60
260925	200/205x 100 SBT	200	205	100
260930	205/210x 60 SBT	205	210	60
260935	205/210x 100 SBT	205	210	100
260940	210/ 215x 60 SBT	210	215	60
260945	210/ 215x 100 SBT	210	215	100
260950	215/220x 60 SBT	215	220	60
260955	215/220x 100 SBT	215	220	100
260960	220/225x 60 SBT	220	225	60
260965	220/225x 100 SBT	220	225	100
260985	240/245x 100 SBT	240	245	100
260990	250/255x 60 SBT	250	255	60
260995	250/255x 100 SBT	250	255	100
261000	280/285x 60 SBT	280	285	60
261005	280/285x 100 SBT	280	285	100
261010	300/305x 60 SBT	300	305	60
261015	300/305x 100 SBT	300	305	100

Other dimensions and designs can be supplied on request. All measures in mm.

Dimension programme SBT-Washers



Code	Designation	s	D2	D3	a
261600	1,5x10x20-L WASHER SBT	1,5	10	20	1,5
261610	1,5x12x24-L WASHER SBT	1,5	12	24	1,5
261620	1,5x14x26-L WASHER SBT	1,5	14	26	2,0
261630	1,5x16x30-L WASHER SBT	1,5	16	30	2,0
261640	1,5x18x32-L WASHER SBT	1,5	18	32	2,0
261650	1,5x20x36-L WASHER SBT	1,5	20	36	3,0
261660	1,5x22x38-L WASHER SBT	1,5	22	38	3,0
261670	1,5x24x42-L WASHER SBT	1,5	24	42	3,0
261680	1,5x26x44-L WASHER SBT	1,5	26	44	3,0
261690	1,5x28x48-L WASHER SBT	1,5	28	48	4,0
261700	1,5x32x54-L WASHER SBT	1,5	32	54	4,0
261710	1,5x38x62-L WASHER SBT	1,5	38	62	4,0
261720	1,5x42x66-L WASHER SBT	1,5	42	66	4,0
261730	2,0x48x74-L WASHER SBT	2,0	48	74	4,0
261740	2,0x52x78-L WASHER SBT	2,0	52	78	4,0
261750	2,0x62x90-L WASHER SBT	2,0	62	90	4,0
261850	2,5x100x160 WASHER SBT	2,5	100	160	4,0

Other dimensions and designs can be supplied on request. All measures in mm.

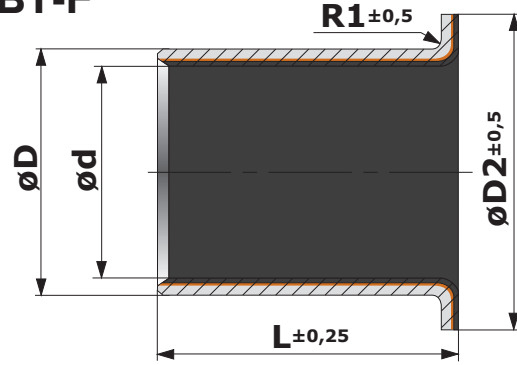
Dimension programme SBT-Sheets



Code	Designation	s	B	L
261505	1,0x125x500 SHEET SBT	1,0	125	500
261510	1,5x125x500 SHEET SBT	1,5	125	500
261515	2,0x150x500 SHEET SBT	2,0	150	500
261520	2,5x150x500 SHEET SBT	2,5	150	500
261525	3,0x150x500 SHEET SBT	3,0	150	500

Other dimensions and designs can be supplied on request. All measures in mm.

Dimension programme SBT-F



Code	Designation	d	D	D2	L
262060	06/ 08/ 12x 04 SBT-F	06	08	12	04
262070	06/ 08/ 12x 07 SBT-F	06	08	12	07
262080	06/ 08/ 12x 08 SBT-F	06	08	12	08
262090	08/ 10/ 15x 05,5 SBT-F	08	10	15	05,5
262100	08/ 10/ 15x 07,5 SBT-F	08	10	15	07,5
262110	08/ 10/ 15x 09,5 SBT-F	08	10	15	09,5
262120	10/ 12/ 18x 07 SBT-F	10	12	18	07
262130	10/ 12/ 18x 09 SBT-F	10	12	18	09
262140	10/ 12/ 18x 12 SBT-F	10	12	18	12
262150	10/ 12/ 18x 17 SBT-F	10	12	18	17
262160	12/ 14/ 20x 07 SBT-F	12	14	20	07
262170	12/ 14/ 20x 09 SBT-F	12	14	20	09
262180	12/ 14/ 20x 12 SBT-F	12	14	20	12
262190	12/ 14/ 20x 17 SBT-F	12	14	20	17
262200	14/ 16/ 22x 12 SBT-F	14	16	22	12
262210	14/ 16/ 22x 17 SBT-F	14	16	22	17
262220	15/ 17/ 23x 09 SBT-F	15	17	23	09
262230	15/ 17/ 23x 12 SBT-F	15	17	23	12
262240	15/ 17/ 23x 17 SBT-F	15	17	23	17
262250	16/ 18/ 24x 12 SBT-F	16	18	24	12
262260	16/ 18/ 24x 17 SBT-F	16	18	24	17
262270	18/ 20/ 26x 12 SBT-F	18	20	26	12
262280	18/ 20/ 26x 17 SBT-F	18	20	26	17
262290	18/ 20/ 26x 22 SBT-F	18	20	26	22
262300	20/ 23/ 30x 11,5 SBT-F	20	23	30	11,5
262310	20/ 23/ 30x 16,5 SBT-F	20	23	30	16,5
262320	20/ 23/ 30x 21,5 SBT-F	20	23	30	21,5
262330	25/ 28/ 35x 11,5 SBT-F	25	28	35	11,5
262340	25/ 28/ 35x 16,5 SBT-F	25	28	35	16,5
262350	25/ 28/ 35x 21,5 SBT-F	25	28	35	21,5
262360	30/ 34/ 42x 16 SBT-F	30	34	42	16
262370	30/ 34/ 42x 26 SBT-F	30	34	42	26
262380	35/ 39/ 47x 16 SBT-F	35	39	47	16
262390	35/ 39/ 47x 26 SBT-F	35	39	47	26
262400	40/ 44/ 53x 26 SBT-F	40	44	53	26

Other dimensions and designs can be supplied on request. All measures in mm.