



## DEX

DEX is a 3-layer bearing, wrapped of copper-plated steel with a layer of POM.

The standard bearings are fitted with lubrication indents on the running surface. These lubrication indents serve as lubrication reservoirs and are aimed to be filled with grease before mounting the shaft.

DEX-bearing is a boundary lubricated bearing which is especially suitable for constructions, where medium loads and relatively slow rotating or oscillating movements are occurring.

The thin layers, which constitute the running surface of the bearing, ought to be well protected to avoid mounting damages and also for heating from e.g. welding.

### Technical data

**Material:** Copper-plated steel backing, bronze, POM

**Friction:** No lubrication 0,15 - 0,25 $\mu$   
Boundary lubricated 0,05 - 0,15 $\mu$

**Max speed:** No lubrication 2,5m/s  
Boundary lubricated 5,0m/s

**Temperature range:** -40 / +130 °C

Load	Movement
Ca: 250 N/mm <sup>2</sup>	Static
140 N/mm <sup>2</sup>	Dynamic
60 N/mm <sup>2</sup>	Rotating, oscil.

**Tolerances:** Housing H7.  
Recommended tolerance for the shaft h8.

**Lubrication:**  
Additional lubrication ought to be done through the shafts or radialth-rough the housings.

All customary greases can be used.

DEX-bearings need in most of cases very little additional lubrication.

### Benefits:

- Suitable for rotating and oscillating movements.
- Can be used where effective lubrication does not exist.
- Low friction even without lubrication.
- Good resistance to most common mediums.
- Wide range of stock hold standard dimensions.
- Many possible applications.

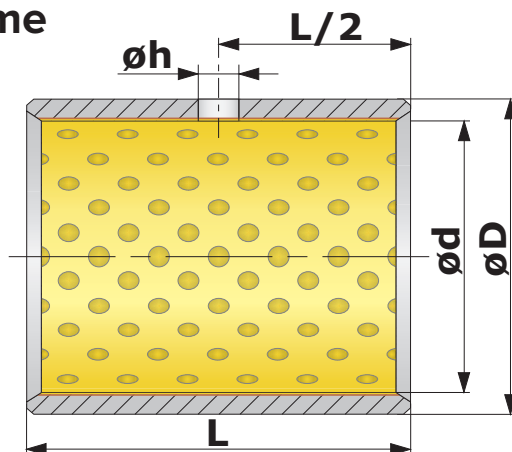
### Special:

- Stainless steel backing.
- Tin-plated steel
- Without lubrication indents.
- Flat or spherical thrust washers.
- Other positions of tolerance.
- Drawing details.

### Type of applications:

- Hydraulic cranes.
- Tail lifts.
- Textile machines.
- Hydraulic cylinders.
- Pneumatic cylinders.
- Agricultural machines.

## Dimension programme DEX

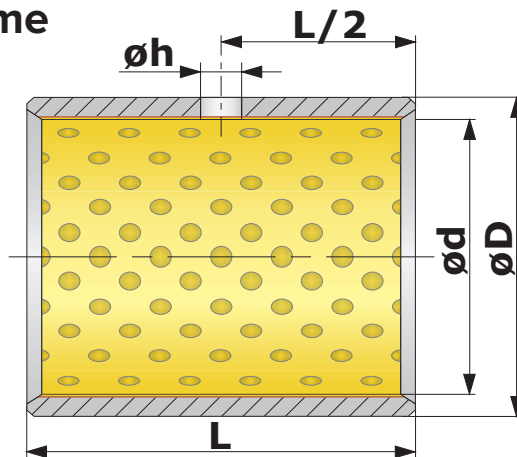


Code	Designation	d	D	L
235008	08/ 10x 08-L DEX	08	10	08
235009	08/ 10x 12-L DEX	08	10	12
235010	10/ 12x 10-L DEX	10	12	10
235013	10/ 12x 15-L DEX	10	12	15
235014	12/ 14x 10-L DEX	12	14	10
235015	12/ 14x 15-L DEX	12	14	15
235020	12/ 14x 20-L DEX	12	14	20
235023	14/ 16x 10-L DEX	14	16	10
235025	14/ 16x 15-L DEX	14	16	15
235030	14/ 16x 20-L DEX	14	16	20
235032	14/ 16x 25-L DEX	14	16	25
235033	15/ 17x 10-L DEX	15	17	10
235034	15/ 17x 12-L DEX	15	17	12
235035	15/ 17x 15-L DEX	15	17	15
235036	15/ 17x 20-L DEX	15	17	20
235037	15/ 17x 25-L DEX	15	17	25
235040	16/ 18x 15-L DEX	16	18	15
235045	16/ 18x 20-L DEX	16	18	20
235050	16/ 18x 25-L DEX	16	18	25
235051	18/ 20x 10-L DEX	18	20	10
235052	18/ 20x 15-L DEX	18	20	15
235053	18/ 20x 20-L DEX	18	20	20
235054	18/ 20x 25-L DEX	18	20	25
2350545	18/ 20x 30-L DEX	18	20	30
235055	18/ 21x 15-L DEX	18	21	15
235060	18/ 21x 20-L DEX	18	21	20
235065	18/ 21x 25-L DEX	18	21	25
235070	20/ 23x 15-L DEX	20	23	15
235075	20/ 23x 20-L DEX	20	23	20
235080	20/ 23x 25-L DEX	20	23	25
235085	20/ 23x 30-L DEX	20	23	30
235090	22/ 25x 15-L DEX	22	25	15
235095	22/ 25x 20-L DEX	22	25	20
235100	22/ 25x 25-L DEX	22	25	25
235103	22/ 25x 30-L DEX	22	25	30
235105	25/ 28x 15-L DEX	25	28	15
235107	25/ 28x 20-L DEX	25	28	20
235110	25/ 28x 25-L DEX	25	28	25
235115	25/ 28x 30-L DEX	25	28	30
235120	28/ 32x 15-L DEX	28	32	15
235125	28/ 32x 25-L DEX	28	32	25
235130	28/ 32x 30-L DEX	28	32	30
235135	30/ 34x 20-L DEX	30	34	20
235140	30/ 34x 30-L DEX	30	34	30
235145	30/ 34x 40-L DEX	30	34	40
235150	32/ 36x 20-L DEX	32	36	20
235155	32/ 36x 30-L DEX	32	36	30
235160	32/ 36x 40-L DEX	32	36	40
235165	35/ 39x 20-L DEX	35	39	20
235170	35/ 39x 25-L DEX	35	39	25
235172	35/ 39x 30-L DEX	35	39	30
235175	35/ 39x 40-L DEX	35	39	40
235180	35/ 39x 50-L DEX	35	39	50
235183	36/ 40x 15-L DEX	36	40	15
235184	36/ 40x 20-L DEX	36	40	20
235185	36/ 40x 40-L DEX	36	40	40

Code	Designation	d	D	L
235190	40/ 44x 20-L DEX	40	44	20
235200	40/ 44x 30-L DEX	40	44	30
235205	40/ 44x 40-L DEX	40	44	40
235210	40/ 44x 50-L DEX	40	44	50
235215	40/ 44x 60-L DEX	40	44	60
235225	45/ 50x 20-L DEX	45	50	20
235230	45/ 50x 30-L DEX	45	50	30
235235	45/ 50x 35-L DEX	45	50	35
235240	45/ 50x 40-L DEX	45	50	40
235245	45/ 50x 50-L DEX	45	50	50
235250	45/ 50x 60-L DEX	45	50	60
235255	50/ 55x 15-L DEX	50	55	15
235260	50/ 55x 20-L DEX	50	55	20
235263	50/ 55x 25-L DEX	50	55	25
235265	50/ 55x 30-L DEX	50	55	30
235270	50/ 55x 40-L DEX	50	55	40
235275	50/ 55x 50-L DEX	50	55	50
235280	50/ 55x 60-L DEX	50	55	60
235285	55/ 60x 30-L DEX	55	60	30
235290	55/ 60x 40-L DEX	55	60	40
235295	55/ 60x 50-L DEX	55	60	50
235300	55/ 60x 60-L DEX	55	60	60
235304	60/ 65x 25-L DEX	60	65	25
2353045	60/ 65x 30-L DEX	60	65	30
235305	60/ 65x 40-L DEX	60	65	40
235310	60/ 65x 45-L DEX	60	65	45
235312	60/ 65x 50-L DEX	60	65	50
235315	60/ 65x 60-L DEX	60	65	60
235320	60/ 65x 70-L DEX	60	65	70
235325	63/ 68x 25-L DEX	63	68	25
235328	65/ 70x 30-L DEX	65	70	30
235330	65/ 70x 40-L DEX	65	70	40
235332	65/ 70x 50-L DEX	65	70	50
235335	65/ 70x 60-L DEX	65	70	60
235338	70/ 75x 15-L DEX	70	75	15
235339	70/ 75x 20-L DEX	70	75	20
235340	70/ 75x 25-L DEX	70	75	25
235345	70/ 75x 40-L DEX	70	75	40
235347	70/ 75x 45-L DEX	70	75	45
235348	70/ 75x 50-L DEX	70	75	50
235350	70/ 75x 60-L DEX	70	75	60
235353	70/ 75x 70-L DEX	70	75	70
235355	70/ 75x 80-L DEX	70	75	80
235358	75/ 80x 30-L DEX	75	80	30
235360	75/ 80x 40-L DEX	75	80	40
235365	75/ 80x 80-L DEX	75	80	80
235371	80/ 85x 25-L DEX	80	85	25
235372	80/ 85x 30-L DEX	80	85	30
235375	80/ 85x 40-L DEX	80	85	40
235378	80/ 85x 60-L DEX	80	85	60
235380	80/ 85x 80-L DEX	80	85	80
235382	80/ 85x 80-L DEX	80	85	80
235383	80/ 85x 100-L DEX	80	85	100

Other dimensions and designs can be supplied on request. All measures in mm.  
("L" in the designation stand for lubricating hole.)

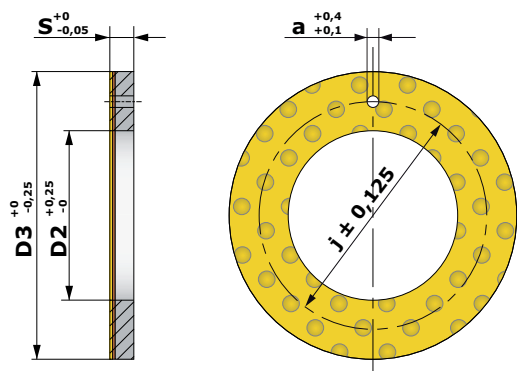
## Dimension programme DEX



Code	Designation	d	D	L
235384	85/ 90x 30-L DEX	85	90	30
235385	85/ 90x 40-L DEX	85	90	40
235390	85/ 90x 80-L DEX	85	90	80
235391	85/ 90x 100-L DEX	85	90	100
235392	90/ 95x 20-L DEX	90	95	20
235393	90/ 95x 25-L DEX	90	95	25
235395	90/ 95x 40-L DEX	90	95	40
235398	90/ 95x 60-L DEX	90	95	60
235399	90/ 95x 80-L DEX	90	95	80
235400	90/ 95x 90-L DEX	90	95	90
235401	90/ 95x 100-L DEX	90	95	100
235402	95/ 100x 60-L DEX	95	100	60
235405	95/ 100x 80-L DEX	95	100	80
235410	100/ 105x 20-L DEX	100	105	20
235420	100/ 105x 40-L DEX	100	105	40
235425	100/ 105x 50-L DEX	100	105	50
235430	100/ 105x 60-L DEX	100	105	60
235432	100/ 105x 90-L DEX	100	105	90
2354333	105/ 110x 60-L DEX	105	110	60
235435	110/ 115x 50-L DEX	110	115	50
235437	110/ 115x 60-L DEX	110	115	60
235440	110/ 115x 95-L DEX	110	115	95
235445	120/ 125x 50-L DEX	120	125	50
235447	120/ 125x 60-L DEX	120	125	60
235450	120/ 125x 100-L DEX	120	125	100
235453	125/ 130x 60-L DEX	125	130	60
235454	125/ 130x 60-L DEX	125	130	60
235455	125/ 130x 100-L DEX	125	130	100
235460	130/ 135x 60-L DEX	130	135	60
235465	130/ 135x 100-L DEX	130	135	100
235470	140/ 145x 60-L DEX	140	145	60
235480	140/ 145x 100-L DEX	140	145	100
235488	150/ 155x 50-L DEX	150	155	50
235490	150/ 155x 60-L DEX	150	155	60
235495	150/ 155x 100-L DEX	150	155	100
235500	160/ 165x 60-L DEX	160	165	60
235502	160/ 165x 80-L DEX	160	165	80
235505	160/ 165x 100-L DEX	160	165	100
235515	170/ 175x 60-L DEX	170	175	60
235525	170/ 175x 100-L DEX	170	175	100
235535	180/ 185x 60-L DEX	180	185	60
235540	180/ 185x 100-L DEX	180	185	100
235545	190/ 195x 60-L DEX	190	195	60
235550	190/ 195x 100-L DEX	190	195	100
235555	195/ 200x 90-L DEX	195	200	90
235560	200/ 205x 60-L DEX	200	205	60
235570	200/ 205x 100-L DEX	200	205	100
235605	275/ 280x 40-L DEX	275	280	40
235620	295/ 300x 40-L DEX	295	300	40
235625	295/ 300x 80-L DEX	295	300	80

Other dimensions and designs can be supplied on request. All measures in mm.  
("L" in the designation stand for lubricating hole.)

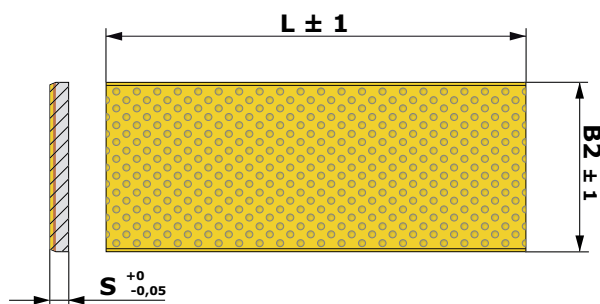
## Dimension programme DEX-Washers



Code	Designation	s	D2	D3	a
232030	1,5x10x20-L WASHER DEX	1,5	10	20	1,5
232035	1,5x12x24-L WASHER DEX	1,5	12	24	1,5
232040	1,5x14x26-L WASHER DEX	1,5	14	26	2,0
232045	1,5x16x30-L WASHER DEX	1,5	16	30	2,0
232050	1,5x18x32-L WASHER DEX	1,5	18	32	2,0
232055	1,5x20x36-L WASHER DEX	1,5	20	36	3,0
232060	1,5x22x38-L WASHER DEX	1,5	22	38	3,0
232065	1,5x24x42-L WASHER DEX	1,5	24	42	3,0
232070	1,5x26x44-L WASHER DEX	1,5	26	44	3,0
232075	1,5x28x48-L WASHER DEX	1,5	28	48	4,0
232080	1,5x32x54-L WASHER DEX	1,5	32	54	4,0
232085	1,5x38x62-L WASHER DEX	1,5	38	62	4,0
232090	1,5x42x66-L WASHER DEX	1,5	42	66	4,0
232095	2,0x48x74-L WASHER DEX	2,0	48	74	4,0
232100	2,0x52x78-L WASHER DEX	2,0	52	78	4,0
232105	2,0x62x90-L WASHER DEX	2,0	62	90	4,0

Other dimensions and designs can be supplied on request. All measures in mm.  
("L" in the designation stand for lubricating hole.)

## Dimension programme DEX-Sheets



Coder	Designation	d	D	L
233010	1,0x125x500 SHEET DEX	1,0	125	500
233015	1,5x125x500 SHEET DEX	1,5	125	500
233020	2,0x150x500 SHEET DEX	2,0	150	500
233025	2,5x150x500 SHEET DEX	2,5	150	500
233030	3,0x150x500 SHEET DEX	3,0	150	500

Other dimensions and designs can be supplied on request. All measures in mm.